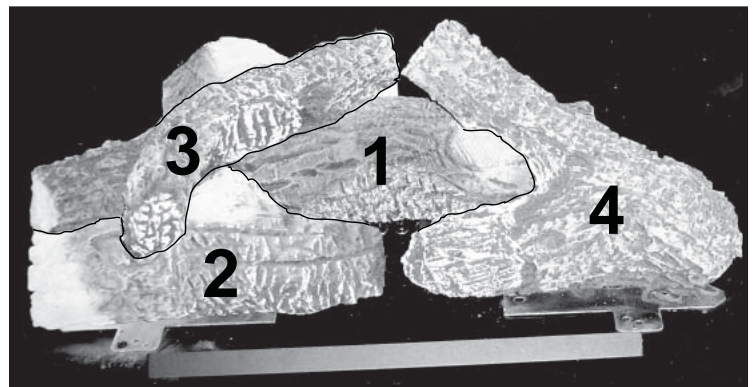


Log Set Assembly



Part number list on following page.

IMPORTANT: THIS IS DATED INFORMATION. When requesting service or replacement parts for your appliance please provide model number and serial number. All parts listed in this manual may be ordered from an authorized dealer.

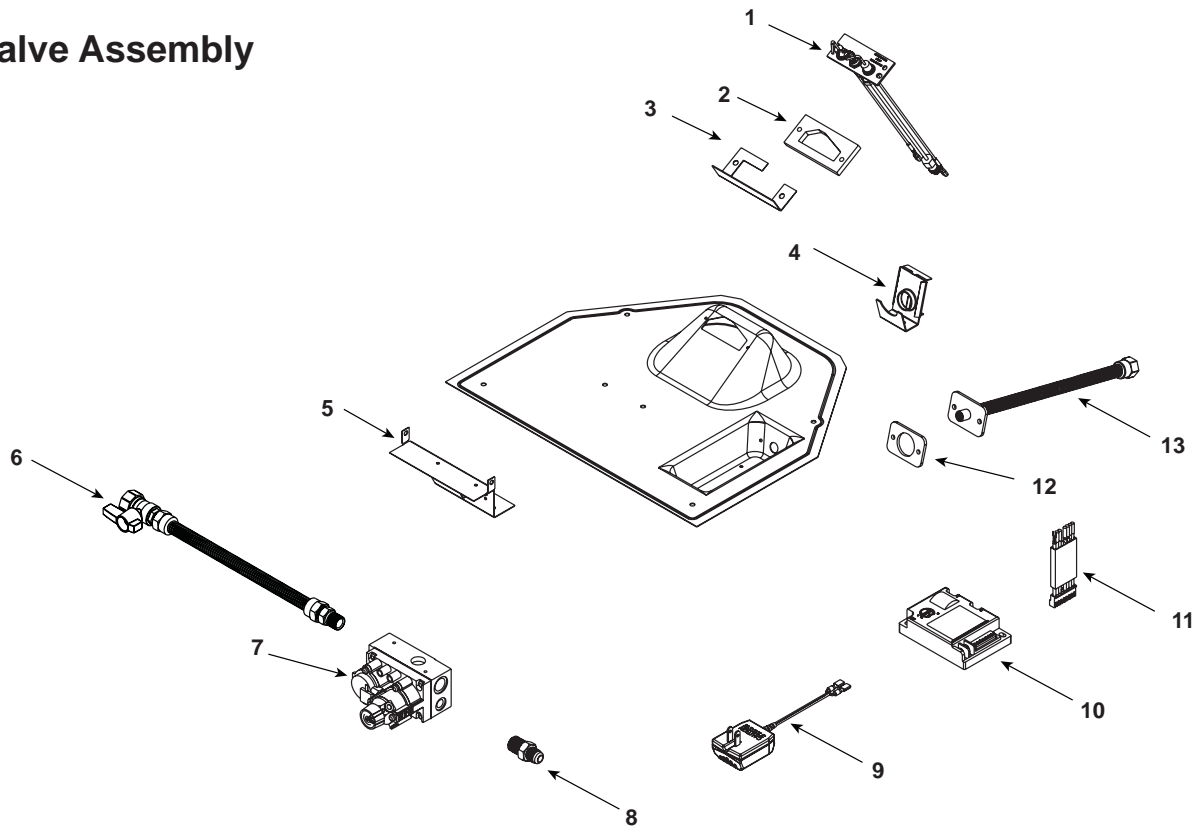


**Stocked
at Depot**

| ITEM | DESCRIPTION | COMMENTS | PART NUMBER | |
|------|------------------------------------|-----------|-------------|---|
| | Log Set Assembly | | SRV4055-079 | Y |
| 1 | Log 1 (Back Log) | | SRV4055-082 | |
| 2 | Log 2 (Left Log) | | SRV4055-086 | |
| 3 | Log 3 (Top Log) | | SRV4055-083 | |
| 4 | Log 4 (Right Log) | | SRV4055-089 | |
| | Collar Shield Assembly | | 4031-257 | |
| 5 | Collar Shield Leg | Qty 3 req | 4031-255 | |
| 6 | Not replaceable must order overlay | | 4055-197 | |
| 7 | | | 4055-133 | |
| 8 | Dry Wall Lip | | 4031-208 | |
| 9 | Glass Shield | | 4031-220 | |
| 10 | Glass Latch Assembly | Qty 4 req | 33858 | Y |
| 11 | Hearth Pan | | 4055-112 | |
| 12 | Burner Assembly | | 4055-049 | Y |
| 13 | Valve Assembly | | 4055-027 | |
| 14 | Gasket, Valve Plate | | 4055-135 | |
| 15 | Glass Frame Assembly | | 4031-096 | Y |
| 16 | Hood | | 4055-216 | |
| 17 | Screen Assembly | | SRV4055-932 | Y |
| 18 | Floor Cover | | 4055-275 | |
| 19 | Fan Shield | | 4031-290 | |
| 20 | Magnetic Touch Latch | Qty 2 req | 4021-650 | |
| 21 | Not replaceable must order overlay | | 4055-197 | |
| 22 | | | 4055-133 | |
| 23 | Junction box | | 4021-013 | Y |
| 24 | Cover Plate | | 4031-222 | |
| 25 | Shield Junction Box | | 4031-193 | |
| 26 | Nailing Flange | Qty 4 req | 4044-161 | |
| | | | | |
| | Cord Clip | | 14218 | |
| | High Limit Switch | | 4021-383 | Y |
| | | | | |
| | Conversion Kit NG | | DCKVN | Y |
| | Conversion Kit LP | | DCKVP | Y |
| | Pilot Orifice NG | | 593-528 | Y |
| | Pilot Orifice LP | | 593-527 | Y |
| | Regulator NG | | NGK-DXV | Y |
| | Regulator LP | | LPK-DXV | Y |

Additional service part numbers appear on following page.

IPI Valve Assembly



IMPORTANT: THIS IS DATED INFORMATION. When requesting service or replacement parts for your appliance please provide model number and serial number. All parts listed in this manual may be ordered from an authorized dealer.



Stocked at Depot

| ITEM | DESCRIPTION | COMMENTS | PART NUMBER | Stocked at Depot |
|------|-----------------------------|----------|-------------|------------------|
| 1 | Pilot Assembly NG | | 2090-012 | Y |
| | Pilot Assembly LP | | 2090-013 | Y |
| 2 | Gasket, Pilot Assembly | | 4021-042 | |
| 3 | Pilot Bracket | | 4065-182 | |
| 4 | Air Shutter Assembly | | 4055-202 | Y |
| 5 | Valve Bracket | | 4055-205 | |
| 6 | Flex Ball Valve Assembly | | 302-320A | Y |
| | | | | |
| 7 | Valve NG | | 750-500 | Y |
| | Valve LP | | 750-501 | Y |
| 8 | Brass Fitting | Pkg of 5 | 303-315/5 | Y |
| 9 | 3 Volt Transformer | | 583-593A | Y |
| 10 | Module | | 593-592 | Y |
| 11 | Module Wire Assembly | | 593-590A | Y |
| 12 | Gasket, Bulkhead | | 4021-049 | |
| 13 | Bulkhead, Flexible | | 4021-512 | Y |
| | Wire Assembly , Wall Switch | | 2118-170 | Y |
| | Orifice NG (#37C) | | 582-837 | Y |
| | Orifice LP (#52C) | | 582-852 | Y |