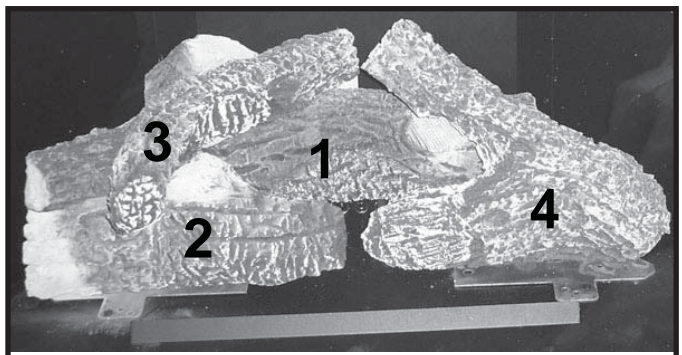


**Log Set Assembly**



Part number list on following page.

IMPORTANT: THIS IS DATED INFORMATION. When requesting service or replacement parts for your appliance please provide model number and serial number. All parts listed in this manual may be ordered from an authorized dealer.

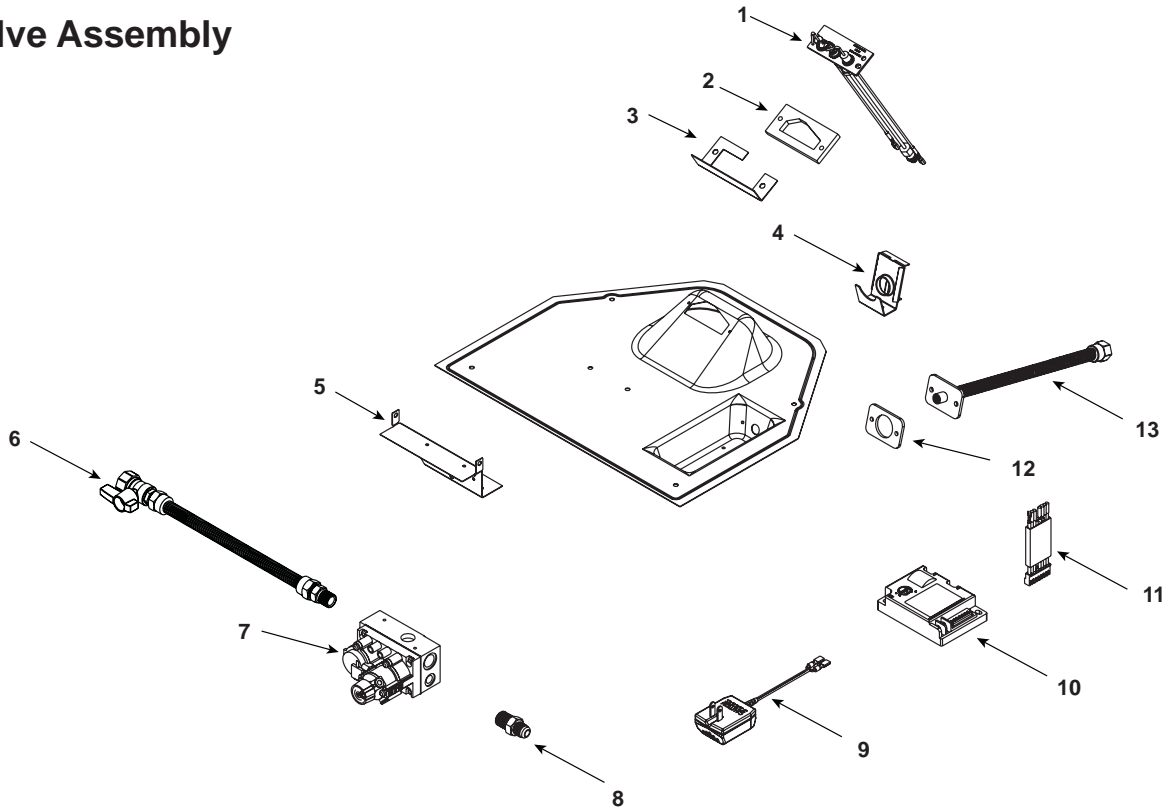


**Stocked  
at Depot**

ITEM	DESCRIPTION	COMMENTS	PART NUMBER	
	<b>Log Set Assembly</b>		SRV4055-077	<b>Y</b>
1	Log 1 (Back Log)		SRV4055-080	
2	Log 2 (Left Log )		SRV4055-084	
3	Log 3 (Top Log)		SRV4055-083	
4	Log 4 (Right Log)		SRV4055-087	
	Collar Shield Assembly		4031-257	
5	Collar Shield Leg	Qty 3 req	4031-255	
6	Not replaceable must order overlay		4055-194	
7			4055-133	
8	Dry Wall Lip		4031-205	
9	Glass Shield		4031-217	
10	Glass Latch Assembly	Qty 4 req	33858	<b>Y</b>
11	Hearth Pan		4055-109	
12	Burner Assembly		4055-046	<b>Y</b>
13	Valve Assembly		4055-027	
14	Gasket, Valve Plate		4055-135	
15	Glass Frame Assembly		4031-539	<b>Y</b>
16	Hood		4055-213	
17	Screen Assembly		SRV4055-929	<b>Y</b>
18	Floor Cover		4055-272	
19	Fan Shield		4031-289	
20	Magnetic Touch Latch	Qty 2 req	4021-650	
21	Not replaceable must order overlay		4055-194	
22			4055-133	
23	Junction box		4021-013	<b>Y</b>
24	Cover Plate		4031-222	
25	Shield Junction Box		4031-193	
26	Nailing Flange	Qty 4 req	4044-161	
	Cord Clip		14218	
	High Limit Switch		4021-383	<b>Y</b>
	Conversion Kit NG		DCKVN	<b>Y</b>
	Conversion Kit LP		DCKVP	<b>Y</b>
	Pilot Orifice NG		593-528	<b>Y</b>
	Pilot Orifice LP		593-527	<b>Y</b>
	Regulator NG		NGK-DXV	<b>Y</b>
	Regulator LP		LPK-DXV	<b>Y</b>

Additional service part numbers appear on following page.

**IPI Valve Assembly**



IMPORTANT: THIS IS DATED INFORMATION. When requesting service or replacement parts for your appliance please provide model number and serial number. All parts listed in this manual may be ordered from an authorized dealer.



**Stocked at Depot**

ITEM	DESCRIPTION	COMMENTS	PART NUMBER	Stocked at Depot
1	Pilot Assembly NG		2090-012	Y
	Pilot Assembly LP		2090-013	Y
2	Gasket, Pilot Assembly		4021-042	
3	Pilot Bracket		4065-182	
4	Air Shutter Assembly		4055-202	Y
5	Valve Bracket		4055-205	
6	Flex Ball Valve Assembly		302-320A	Y
7	Valve NG		750-500	Y
	Valve LP		750-501	Y
8	Brass Fitting		303-315	
9	3 Volt Transformer		583-593A	Y
10	Module		593-592	Y
11	Module Wire Assembly		593-590A	Y
12	Gasket, Bulkhead		4021-049	
13	Bulkhead, Flexible		4021-512	Y
	Wire Assembly , Wall Switch		2118-170	Y
	Orifice NG (.083)		4021-435	Y
	Orifice LP (# 52C)		4021-426	Y